

DIRECT DRIVE PROPELLER ROOFTOP EXHAUST FANS MODEL ARD



FEATURES

- Wall or Roof Mount
- Spun Aluminum Housing
- Bird Screen
- Integral Vibration Isolators
- Aluminum Bladed Propellers
- Solid State Speed Control Not Available
- Emergency Disconnect Switch Standard

PERFORMANCE

Catalog Number	HP	RPM	Max BHP	Capacity (CFM) at "S.P.							
				0"	1/8"	1/4"	3/8"	1/2"	5/8"	3/4"	1"
ARD100	1/30	1500	87*	469	380	240	-	-	-	-	-
ARD120	1/10	1500	222*	862	700	510	345	-	-	-	-
ARD140	1/6	1100	194*	1465	1220	940	780	500	410	220	-
ARD180	1/3	1100	0.39	2567	2350	2060	1830	1640	1310	1060	570

*Maximum watts



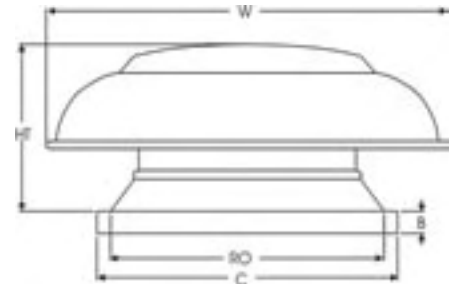
115V MODELS & OPTIONAL CURBS

Prop Dia.	EDP Number	Catalog Number	Ship Wt.	ODP 1 Speed 1 Phase 115V	8" Curb (EDP #) 12" Curb (EDP #)	Roof Mount Damper (EDP#)
10"	32644	ARD100XB	12	\$607	PACA17.75-8 (31100) \$176	BD14.5A (32452) \$137
					PACA17.75-12 (31101) \$196	
12"	32645	ARD120XB	20	\$961	PACA17.75-8 (31100) \$176	BD14.5A (32452) \$137
					PACA17.75-12 (31101) \$196	
14"	32646	ARD140BC	34	\$1274	PACA20-8 (31102) \$200	BD16.75A (32453) \$158
					PACA20-12 (31103) \$220	
18"	32647	ARD180DC	46	\$1587	PACA25-8 (31110) \$258	BD21.75A (32454) \$218
					PACA25-12 (31111) \$302	

WALL MOUNT BRACKETS AVAILABLE - CONTACT FACTORY

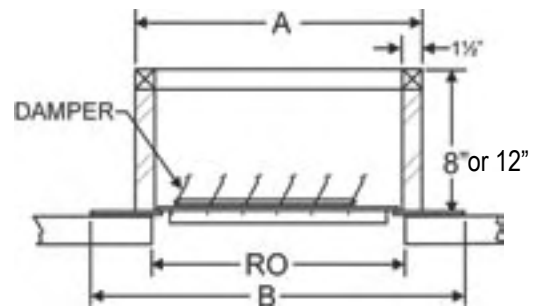
FAN DIMENSIONS

Prop Dia.	Catalog Number	Ht	W	B	C	RO or WO
10"	ARD100	9"	18"	2"	19"	13"
12"	ARD120	11"	21-1/2"	2"	19"	13"
14"	ARD140	14"	27"	2"	21"	16"
18"	ARD180	16"	34"	2"	26"	20"



CURB DIMENSIONS

Curb Cat. No.	A Sq.	B Sq.	Roof Opening	Damper Cat. No.	Ship Wt.
PACA17.75	17-3/4"	23-3/4"	13"	BD14.5A	3
PACA20	20"	24"	16"	BD16.75A	4
PACA25	25"	29"	20"	BD21.75A	5



NOTES:

Pitched and Peaked Curbs available.
For Pitched Roof Curb price, multiply flat roof curb price by 1.67.
For Peaked Roof Curb price, multiply flat roof curb price by 2.22.
Please specify Pitched or Peaked when ordering.

